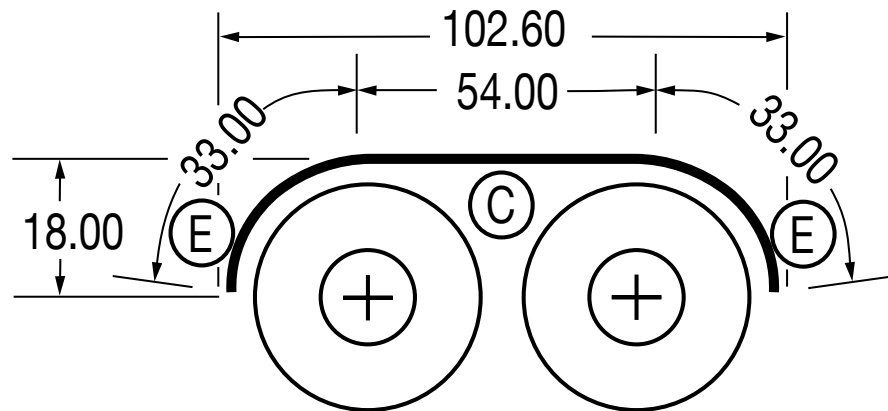


120.00 DEVELOPED LENGTH OVERALL



All illustrations, text, graphics, the selection and arrangement thereof, are Copyrights of Fleet Engineers, Inc. Any use of images, content, and other portions of this drawing, including reproduction, modification, distribution or republication, without prior written consent is strictly prohibited. Amendments and Errors Reserved. © 1963-2015, Fleet Engineers, Inc.

DESCRIPTION	PART NUMBERS	
Standard-Duty Double Radius Tandem Fenders	034-01312	034-01369
	034-01313	
	034-01314	
	034-01315	
LITERATURE NUMBER	034-01366	
DD-034-01312-A-20150904	034-01367	
	034-01368	

**FLEET ENGINEERS**

1800 EAST KEATING AVENUE  
MUSKEGON, MI 49442  
PH: 1-800-333-7890 • F: 231-777-2720