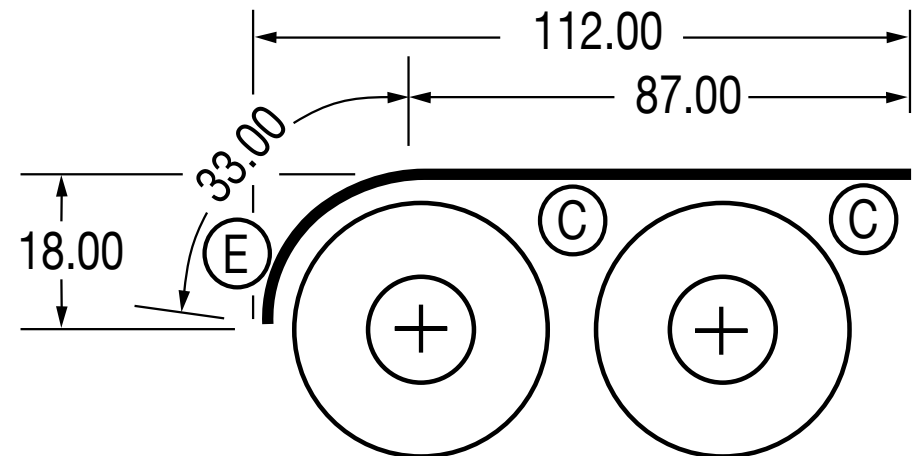


120.00 DEVELOPED LENGTH OVERALL



All illustrations, text, graphics, the selection and arrangement thereof, are Copyrights of Fleet Engineers, Inc. Any use of images, content, and other portions of this drawing, including reproduction, modification, distribution or republication, without prior written consent is strictly prohibited. Amendments and Errors Reserved. © 1963-2015, Fleet Engineers, Inc.

DESCRIPTION	PART NUMBERS	
Standard-Duty Single Radius Tandem Fenders	034-01316	034-01365
	034-01317	
	034-01318	
	034-01319	
LITERATURE NUMBER	034-01362	
DD-034-01316-A-20150904	034-01363	
	034-01364	

FLEET ENGINEERS

1800 EAST KEATING AVENUE
MUSKEGON, MI 49442
PH: 1-800-333-7890 • F: 231-777-2720