

# FLEET ENGINEERS

1800 EAST KEATING AVENUE  
MUSKEGON, MI 49442  
PH: 1-800-333-7890 • F: 231-777-2720

Installation Sheet #INS-04031

## FB-27 Mounting Procedure & End Cap Installation

### NOTE:

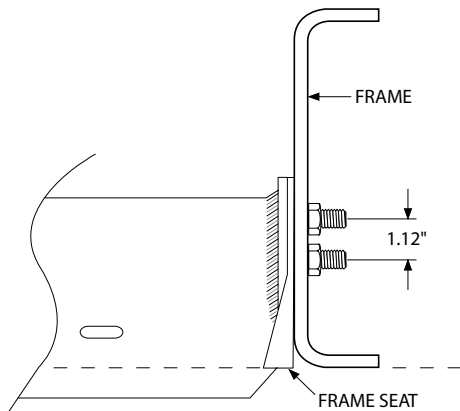
These installation instructions are intended to be a general guide to help the installer. Because of the large number of possible mounting configurations, the installer is responsible for the ultimate installation design. Any modifications to the product are at the discretion, responsibility and risk of the installer.

### Step 1

Make sure the area of the frame where the bracket is to be mounted is clean and free from obstructions and protrusions. **The frame seat of the bracket must come in full contact with the frame.**

### Step 2

Locate the bracket in the desired position. **Make sure the frame seat does not extend past the bottom edge of the frame.** Mark the location of the bolts.

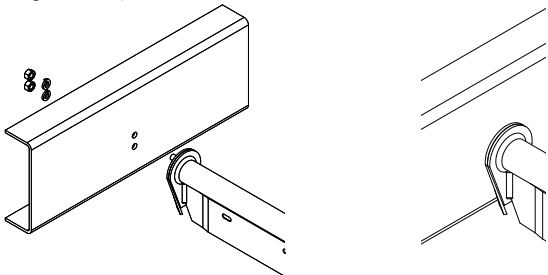


### Step 3

Drill  $17/32$ " clearance holes for the bolts and mount FB bracket as shown.

### NOTE:

Be sure to follow truck manufacturers recommended procedures for drilling any required holes in the frame.

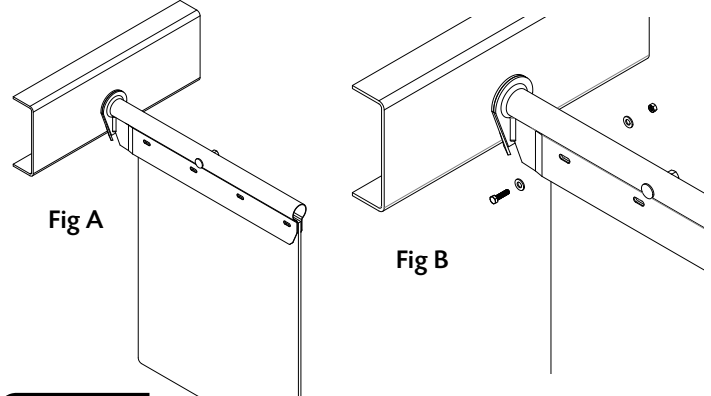


### Step 4

Install mud flap by positioning in FB Bracket as shown in Fig A.

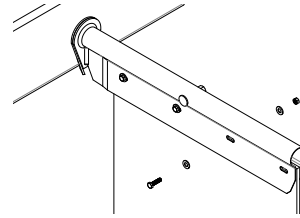
### Step 5

When installing flaps always start with the bolt closest to the chassis and work your way outward, hand tighten only at this time as shown in Fig B.



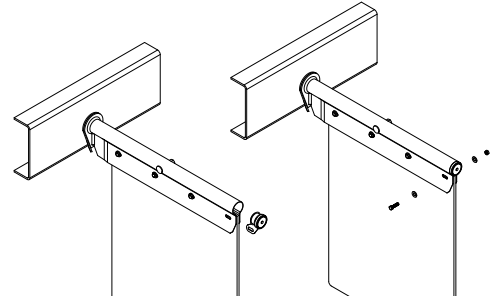
### Step 6

Install the first three bolts and tighten by hand.



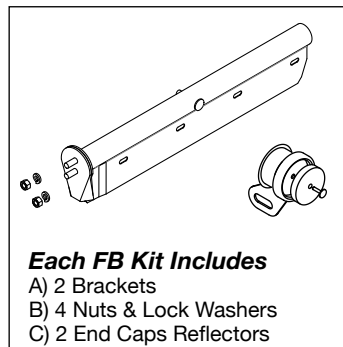
### Step 7

Install the end cap on the FB-27 bracket using the end mud flap bolt. Make sure the tab is located between the bracket flanges and insert the bolt through both the slotted holes in the bracket and the slotted hole in the tab. Correctly position the cap, bracket and flap before the final tightening of the bolt.



### Step 8

**Torque two FB mounting nuts to 57 ft. lbs.  
Torque four mud flap nuts to 13 ft. lbs.**



**Each FB Kit Includes**  
A) 2 Brackets  
B) 4 Nuts & Lock Washers  
C) 2 End Caps Reflectors



**Optional Mud Flap Mounting Kit Includes**  
A) 8 Bolts 5/16 x 1.25  
B) 8 Nuts 5/16  
C) 16 Lock Washers